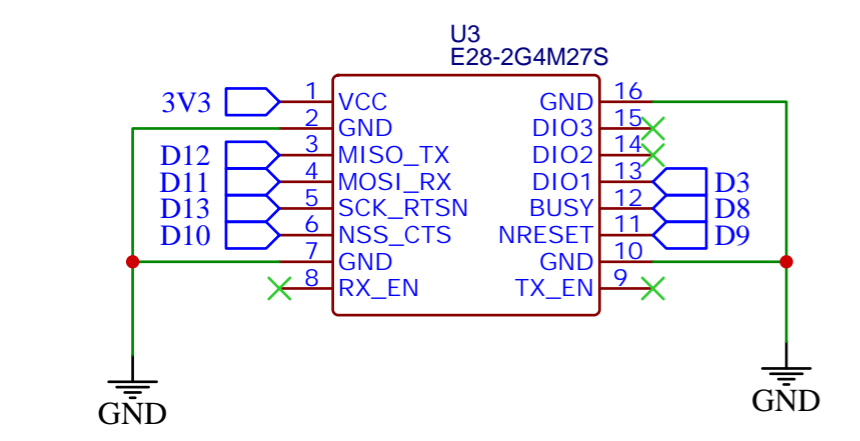
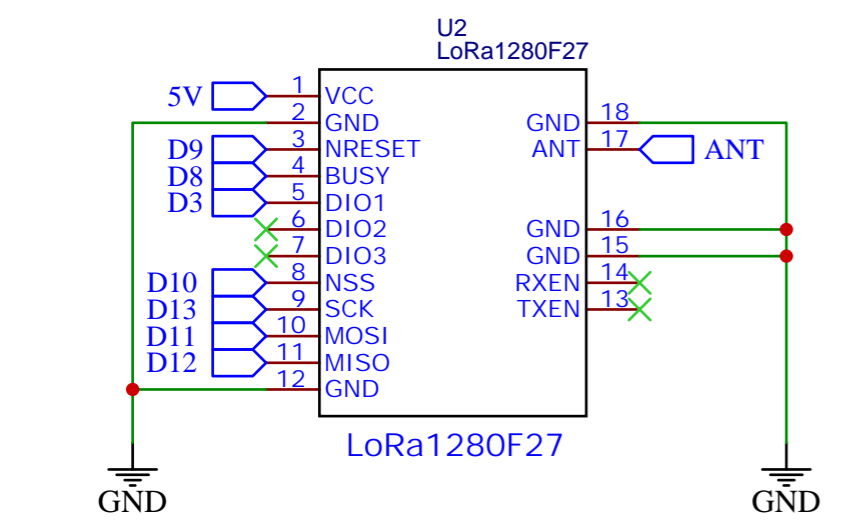
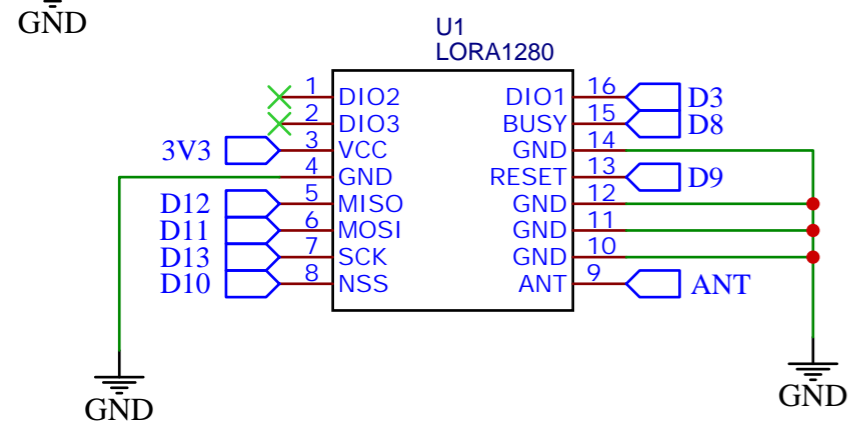
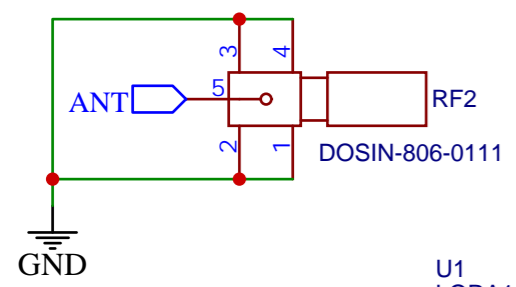
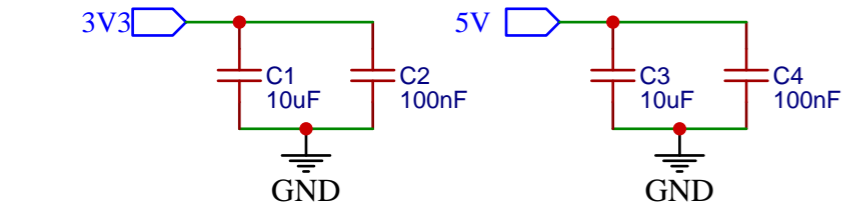
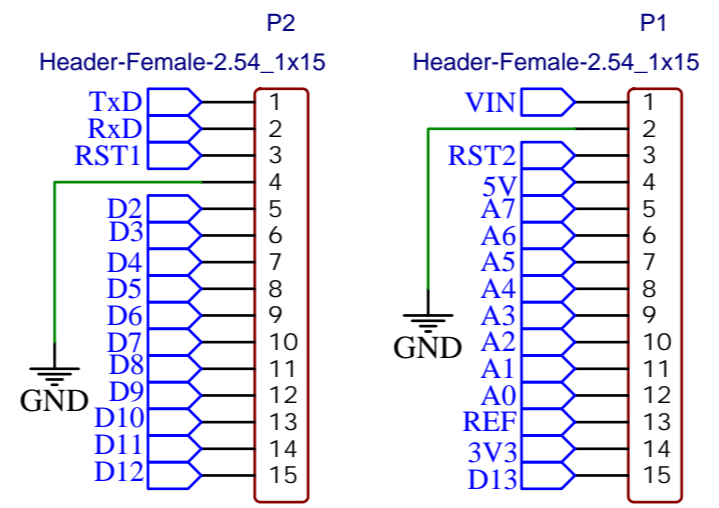


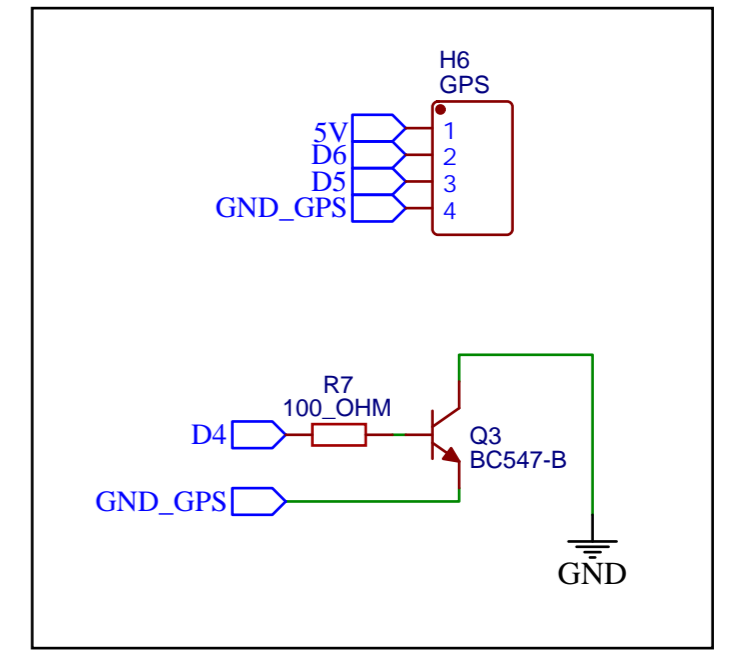
TRANCEIVERS



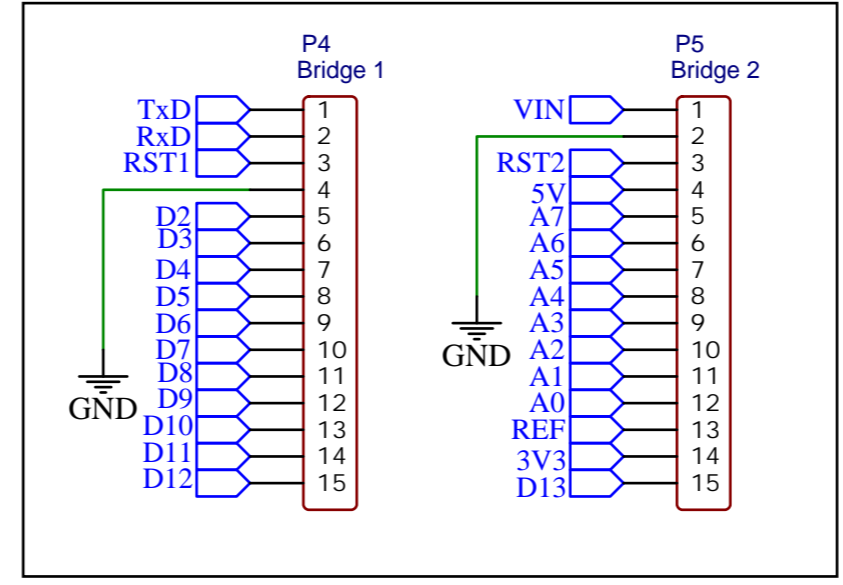
ARDUINO NANO



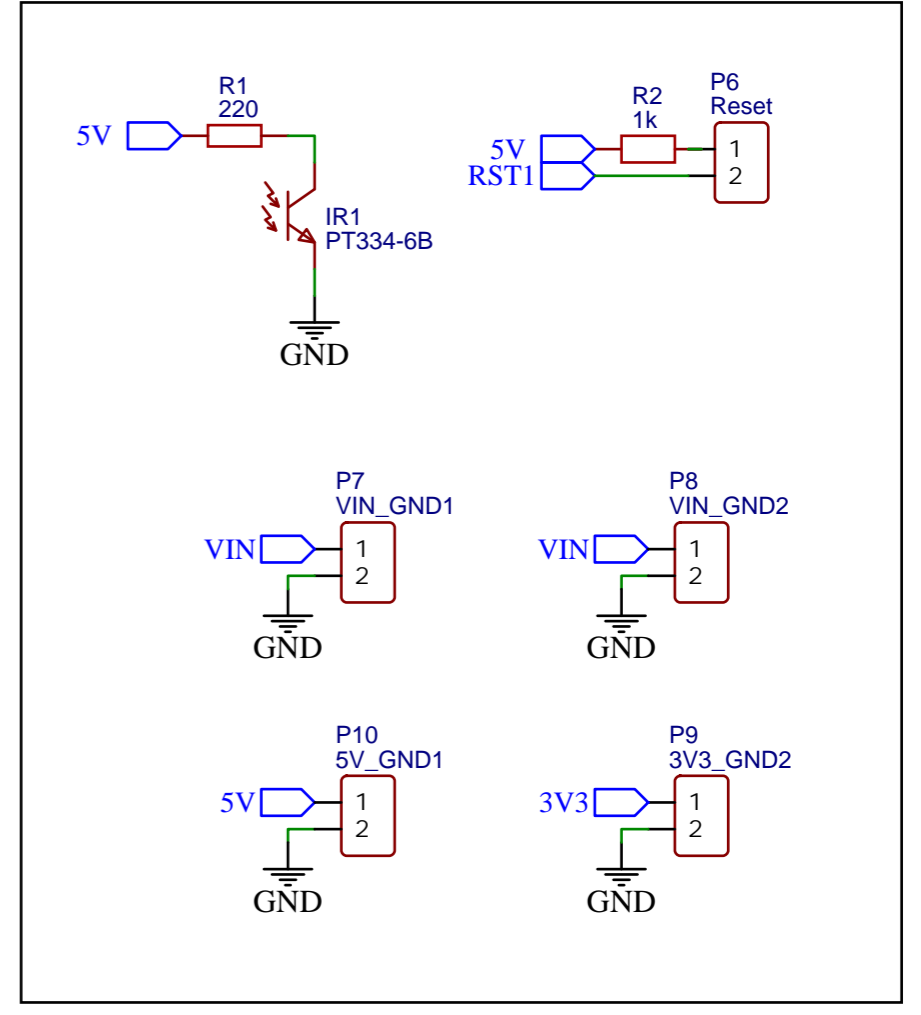
SHIELD GPS ON/OFF



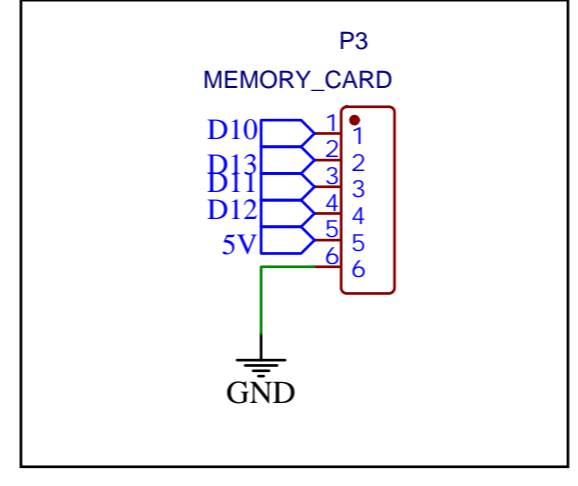
BRIDGES



CONNECTORS

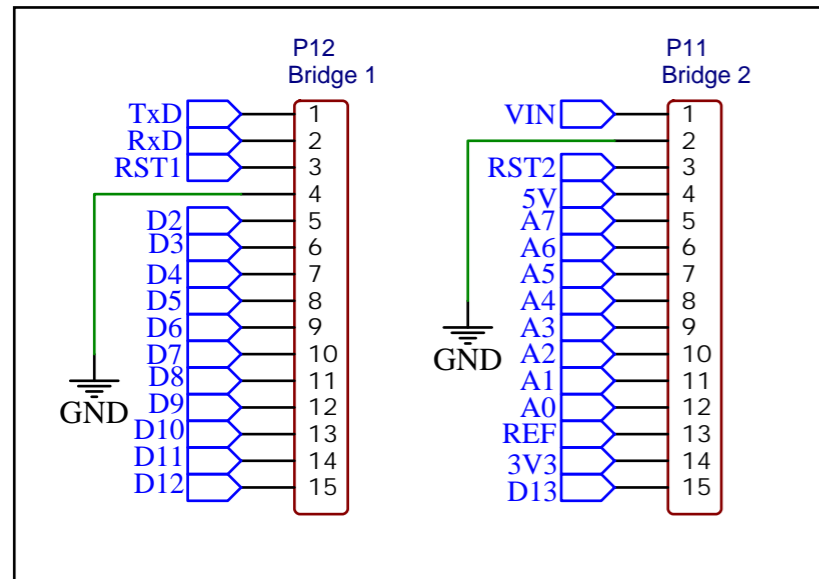


SHIELD MEMORY CARD

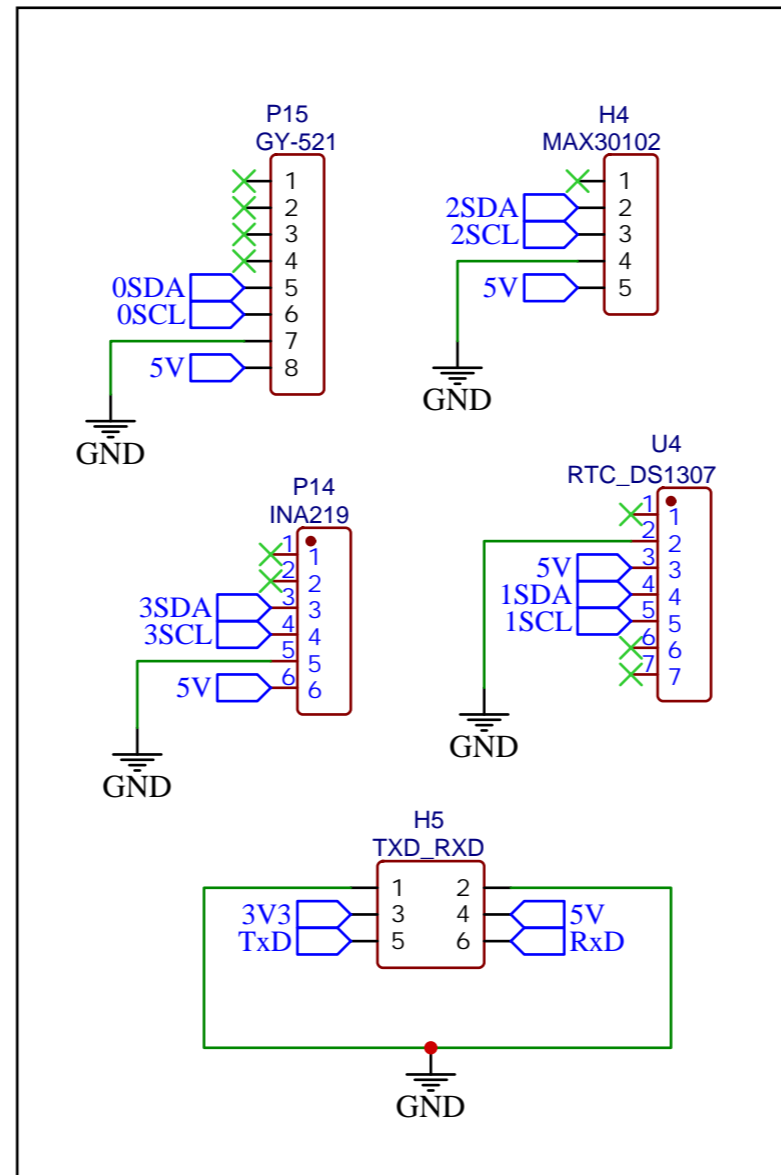


TITLE: Breakout PCB		REV: 6.0
	Company: maguimaraes@uesb.edu.br	Sheet: 1/2
	Date: 2022-11-06	Drawn By: Marcelo Guimarães

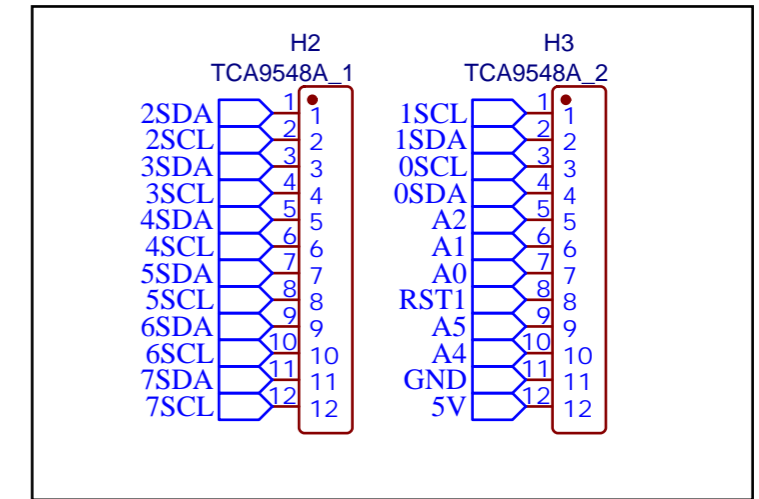
BRIDGES



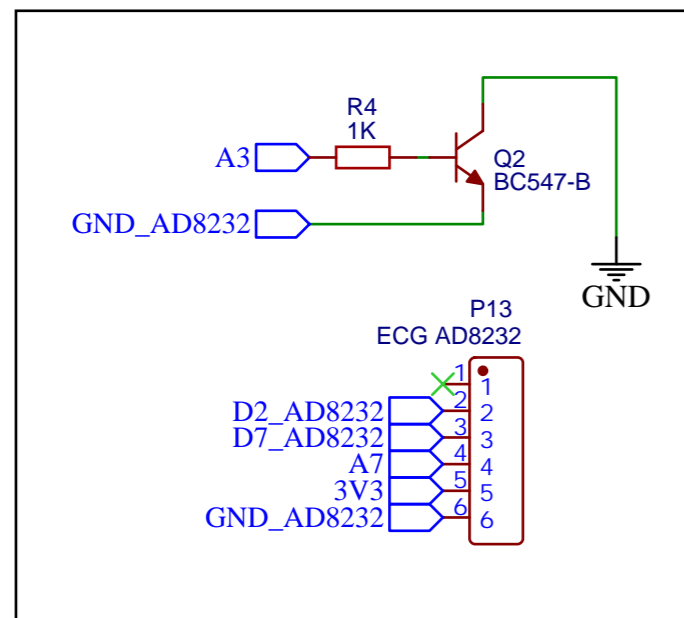
SHIELDS AND CONNECTORS



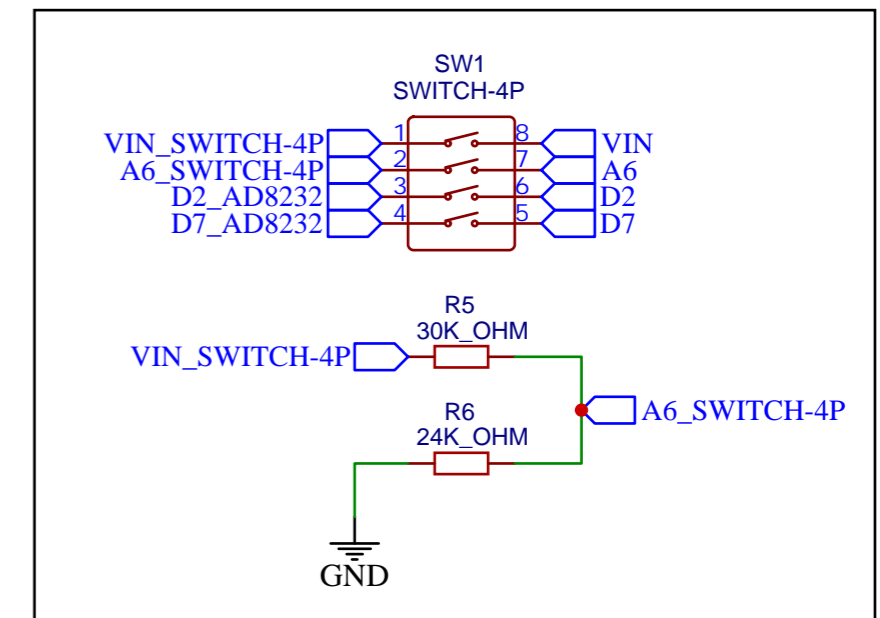
TCA9548A I2C MULTIPLEXER



SHIELD AD8232 ON/OFF



POWERMETER AND AD8232



TITLE: Connectivity Shield ADD		REV: 6.0
	Company: maguimaraes	Sheet: 2/2
	Date: 2022-11-06	Drawn By: Marcelo Guimarães